

ZYGGOT TEMPERATURE

Contactless Online Thermography System



varixx



Predictive maintenance with thermography

Zygot Temperature is an Online Thermography system and predictive maintenance tool that was developed for low and medium voltage panels or other critical applications with critical electrical connections. The sensors measure the temperature continuously, without physical contact, by infrared detection. Each sensor measures two temperature levels: from the target and from the air surrounding the sensor, allowing detection of flaws in unmeasured points, by indirect heating. The relays provide local protection and also through the supervisory system. Alarm and trip levels are freely programmable for each point. An eventual failure in one of the sensors does not interrupt the operation of the other sensors.

> Features



Predictive diagnostics



No need to open the switchgear



Replaces traditional thermography



Single cable



Continuous reading



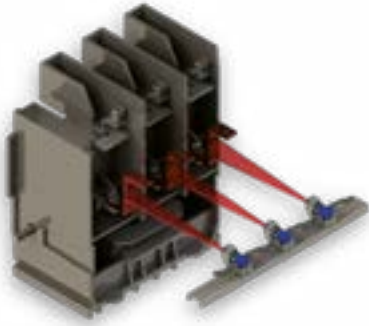
Contactless measurement



Easy Installation



Network Communication



Temperature Sensor contactless measurement

Support for fixing and sighting for Temperature Sensor



Low-Voltage Temperature Sensor fixed directly on the bus

Low-Voltage Temperature Sensor backside

> Low and medium voltage solutions

The Zygot Temperature Sensor is a predictive maintenance tool, monitoring the temperature of low and medium voltage electrical panels or other critical electrical connections. The sensors measure the temperature and allow a continuous reading. Each sensor measures two temperature levels: the point and the surrounding air. They are connected in a certain way that allows a fast, error-free and tool-free installation.



Temperature Sensor

Sensor specifications:

MEASUREMENT ANGLE

7°

TARGET TEMPERATURE

0 to 300°C

LENGTH

53mm (2,08 in)

PRECISION

+/- 2,5% F.S.

ENVIRONMENT TEMPERATURE

0 to 75°C

COMMUNICATION

Modbus RTU

EMISSIVITY

Adjustable (0,95 default)

POWER SUPPLY

24 VDC

MATERIAL

Stainless Steel
Polycarbonate

RESOLUTION

1°C

DIAMETER

19mm (0,74 in)

Each relay supports up to 125 sensors, and the reading values from each sensor can be plotted on a graph at the relay or using a supervisory system. The cables available are from 0.3 to 8 meters, pre-assembled and quick to install, error-free and tool-free. Each relay supports up to 125 sensors.

> Low voltage solution

The Zyggot LV Temperature Sensor was developed for applications in low voltage electrical panels that require a large number of sensors in a small space, many critical points and connections to make the thermography, and a low cost. It can be attached by screw or stainless steel tape directly to the busbar, ensuring space savings without compromising the insulation. The temperatures can be monitored at the relay or in a supervisory system.



Low-Voltage Temperature Sensor

Sensor specifications:

MEASUREMENT ANGLE

60°

TARGET TEMPERATURE

0 to 120°C

LENGTH

54mm (2,12 in)

PRECISION

+/- 2,5% F.S.

ENVIRONMENT TEMPERATURE

0 to 75°C

COMMUNICATION

Modbus RTU

EMISSIVITY

Adjustable (0,95 default)

POWER SUPPLY

24 VDC

MATERIAL

Polycarbonate

RESOLUTION

1°C

WIDTH

31mm (1,22 in)

Each relay supports up to 125 sensors, and the reading values from each sensor can be plotted on a graph at the relay or using a supervisory system. The cables available are from 0.3 to 8 meters, pre-assembled and quick to install, error-free and tool-free. Each relay supports up to 125 sensors.



Temperature Touch Relay



Ethernet TCP-IP

POWER SUPPLY

24 VDC

HUMIDITY

5% to 95%

INPUTS

4 analog (light version)
 4 analog (full version / 0 - 5 VDC)
 4 digital (light version)
 12 digital (full version / 24VDC)

NUMBER OF SENSORS

Up to 125 sensors

RESOLUTION

1°C

OUTPUT

2 outputs for Alarm and Trip (N.O.)
 2 programable outputs (N.O. / light version)
 10 programable outputs (N.O. / full version)
 1 output for connecting the sensors

COMMUNICATION

Modbus RTU
 Ethernet TCP-IP (included)

SCREEN

Color, Touch screen WVGA



Temperature Relay

POWER SUPPLY

24 VDC

INPUT

4 analog;
8 digitals (24 VDC)

OUTPUT

2 output for Alarm and Trip (N.O.)
4 programmable outputs (N.O.)
1 output for connection of the sensors

HUMIDITY

5% to 95%

NUMBER OF SENSORS

Up to 125 sensors

RESOLUTION


1°C

COMMUNICATION

Modbus RTU
Profbus DP (optional)

Learn more technical details about Zyggot Temperature, Varixx's Online Thermography System that predictively monitors and protects low and medium voltage or other critical electrical connections.

And also get to know Zyggot Arc, Varixx's Arc Flash Protection System that works through intelligent sensors, capable of detecting UV radiation in the initial phase of the arc. It can be applied in low, medium high voltage electrical panels and external applications.

 +55 (19) 3424 4000

 +55 (19) 3301 6900

 sales@varixx.com.br

 www.varixx.com.br

 <https://www.linkedin.com/varixx>

varixx