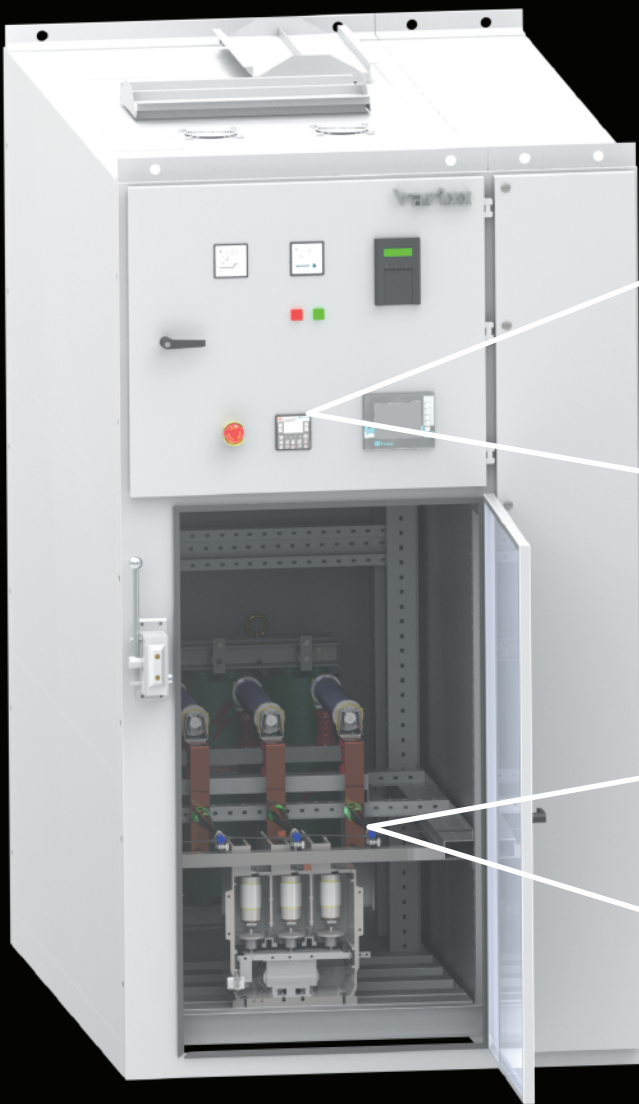


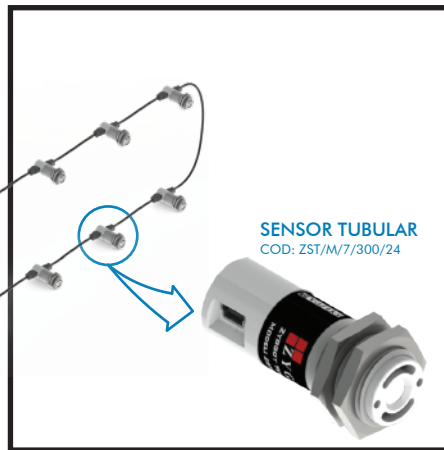
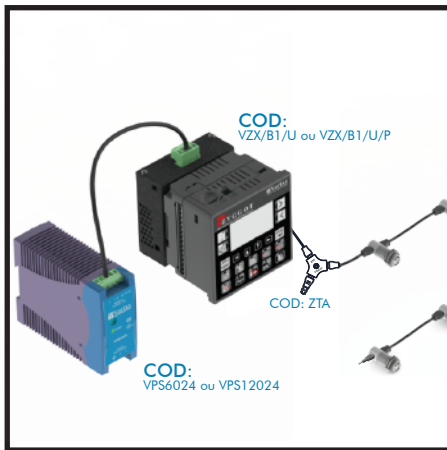
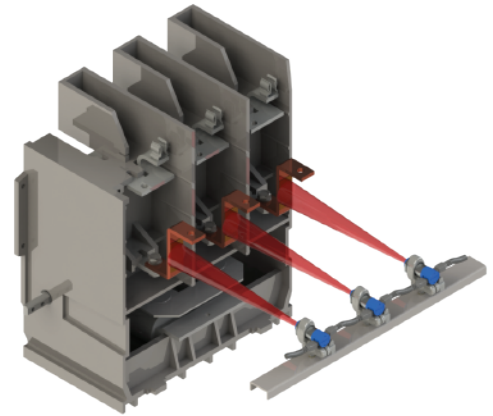
**ZYGGOT TEMPERATURE
ONLINE THERMOGRAPHY
WITHOUT CONTACT**



ZYGGOT TUBULAR

ONLINE THERMOGRAPHY SYSTEM
WITHOUT CONTACT FOR LOW AND MEDIUM VOLTAGE APPLICATIONS

This model of sensor was developed for low and medium voltage panels or others critical electrical connections. Sensors measure the temperature and allow constantly temperature reading. Each sensor measures two temperature levels: from the point and the environment air. They are connected with each other using mini USB cables, on sizes from 0,3 to 8,0 meters, allowing fast installation, error free and without the need of tools. Each relay supports up to 125 sensors and reading values of each sensor can be plotted in a graphic on the relay or using a supervisory system.



STANDARD RELAY

MAIN ADVANTAGES

PREDICTIVE DIAGNOSTICS

AVOIDS PANEL OPENING

ONLINE THERMOGRAPHY WITHOUT CONTACT WITH BUS

REPLACES TRADICIONAL THERMOGRAPHY

Technical Information

RELAY SPECIFICATIONS

Power Supply	24 VDC
Relative Humidity	5 a 95%
Number of sensors	up to 125 sensores
Resolution	1°C
Input	4 analog 8 digitals (24VDC)
Output	2 alarm relay outputs (level 1 e 2) 4 programmable relay outputs 1 output for connection with sensors
Communication	Modbus RTU Profbus DP

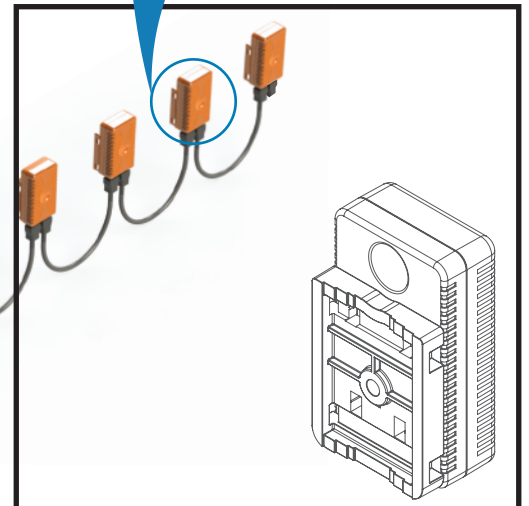
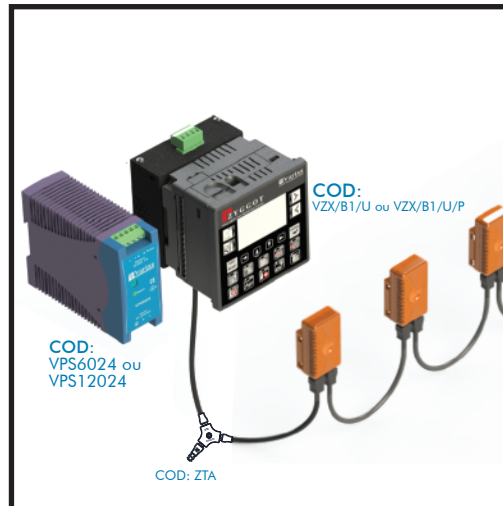
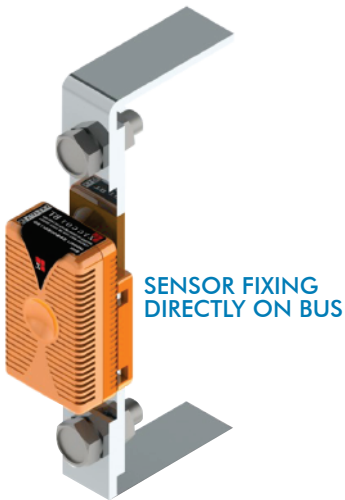
SENSOR SPECIFICATIONS

Measurement angle	7°
Precision	+/- 2,5% F.S.
Emissivity	Adjustable (0,95 default)
Resolution	1°C
Target Temperature	0 a 300 °C
Environment Temperature	0 a 75 °C
Power Supply	24 VDC
Diameter	19mm
Length	53mm
Communication	Modbus RTU
Material	Stainless Steel

ZYGGOT LV

ONLINE THERMOGRAPHY SYSTEM
WITHOUT CONTACT FOR LOW VOLTAGE SYSTEM

Zyggot LV was specially designed for low voltage applications, which demand high number of sensors and minimum available space with low cost of devices. Its base can be fixed through a bolt or a metallic strap directly on the busbar to be monitored, ensuring space saving without damaging insulation. Once the sensor is installed near the monitored object, sensors have a reading angle of 60 degrees, maximizing reading area. Sensors measure the temperature and allow constant temperature reading. Each sensor measures two temperature levels from the point and the air of the environment. They are connected with each other using mini USB cables, on sizes from 0,3 to 8,0 meters, allowing fast installation, error free and without the need of tools. Each relay supports up to 125 sensors and reading values of each sensor can be plotted in a graphic on the relay or using a supervisory system.



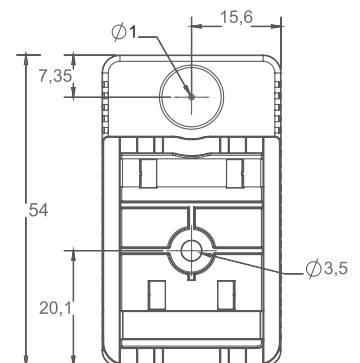
Technical Information

RELAY SPECIFICATIONS

Power Supply	24 VDC
Relative Humidity	5 a 95%
Number of sensors	up to 125 sensores
Resolution	1°C
Input	4 analog 8 digitals (24VDC)
Output	2 alarm relay outputs (level 1 e 2) 4 programmable relay outputs 1 output for connection with sensors
Communication	Modbus RTU Profibus DP

SENSOR SPECIFICATIONS

Measurement angle	60°
Precision	+/- 2,5% F.S.
Emissivity	Adjustable (0,95 default)
Resolution	1°C
Target Temperature	10 a 120 °C
Environment Temperature	0 a 75 °C
Power Supply	24 VDC
Width	31mm
Length	54mm
Communication	Modbus RTU
Material	Polycarbonate



For more technical information about the system and its accessories, please consult our website or send an email to vendas@varixx.com.br

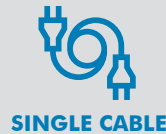
ABOUT VARIXX

For more than 40 years, Varixx has followed its vocation for the development of high technology products and has focused its efforts to serve the industrial customers with quality and short time to market. The know-how in power electronics has allowed the company offering a wide range of products that have become known for their long life and reliability. Varixx has been surprising customers with innovations, such as Zyggot line, which has become a reference in monitoring and diagnosis of temperature and arc detection in general electrical systems and, recently, releasing Onno LED luminaires, which are developed and manufactured in Brazil, providing high luminous efficiency and technology. Varixx is the owner of several technological patents and has followed the culture of innovation in the national market and throughout the world.

VARIXX PERFORMANCE AREAS

- ✓ **ROTATIVE MACHINES**
Static Exciters, Control Box, Low Voltage Soft Starters and Medium Voltage Soft Starters, Semiconductors and Onno LED luminaires.
- ✓ **PRODUCTION OF ALUMINUM AND HYDROGEN**
High Current Rectifiers, Solid State Contactors, AC/DC Converter for Electromagnets, Intelligent Relay for MCCs, Online Thermography Systems, Arc Flash Protection System and Onno LED luminaires.
- ✓ **BASE INDUSTRIES, MINING AND STEEL COMPANIES**
High Current Rectifiers, Solid State Contactors, Intelligent Relay for MCCs, Soft Starters, Online Thermography Systems, Arc Flash Protection System and Onno LED Luminaires.
- ✓ **OIL COMPANIES**
Intelligent Relays for MCCs, Static Exciters, Soft Starters, Solid State Contactors, Online Thermography Systems, Arc Flash Protection System and Onno LED Luminaires.
- ✓ **PANEL BUILDERS**
Protection Relays, Online Thermography and Arc Flash Protection System, Semiconductors, Power Supplies and Onno Led Luminaires.

WHY ZYGGOT TEMPERATURE?



LEARN MORE!

ZYGGOT ARC

PROTECTION AGAINST ARC FLASH THROUGH SENSORS THAT DETECT UV RADIATION

- ✓ **Low cost**
- ✓ **Innovative technology**
- ✓ **The fastest of the market**
- ✓ **Digital network signal**
- ✓ **Doesn't act with light of environment**



www.varixx.com.br
vendas@varixx.com.br
+55 (19) 3424-4000
+55 (19) 3301-6900
R. Felipe Zaidan Maluf, 450
Distrito Industrial Unileste
Piracicaba-SP. CEP: 13422-190



@Varixxbrasil



@varixxcompany



Varixx Indústria Eletrônica / Onno Led



www.varixx.com.br